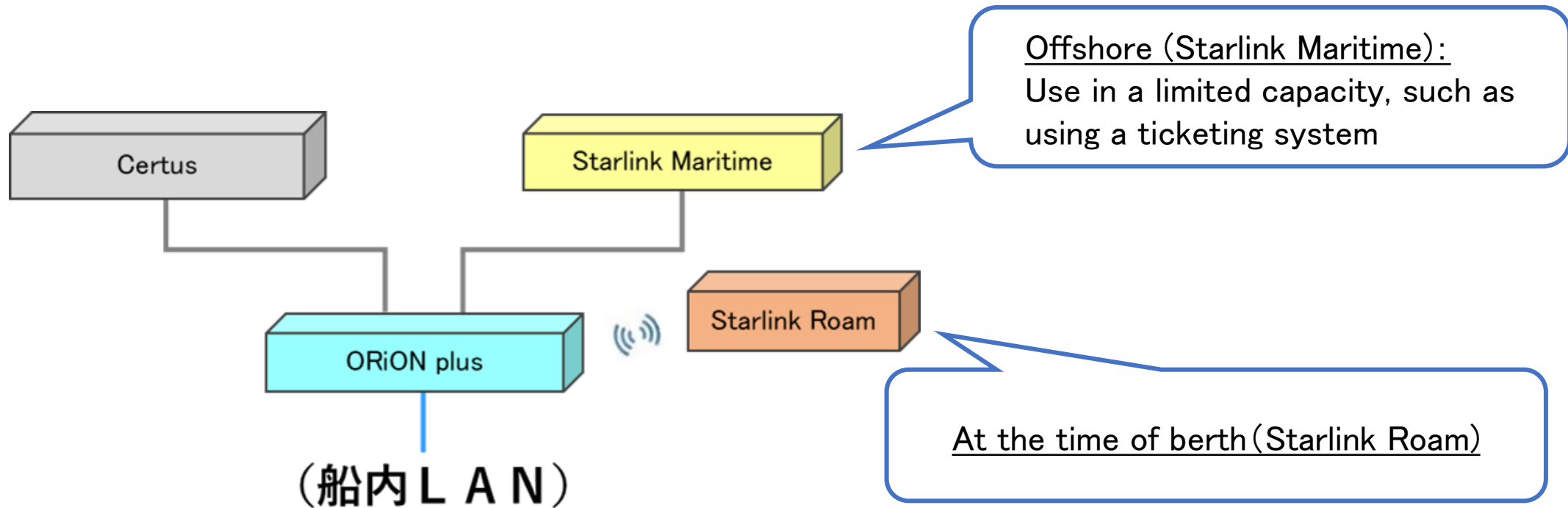




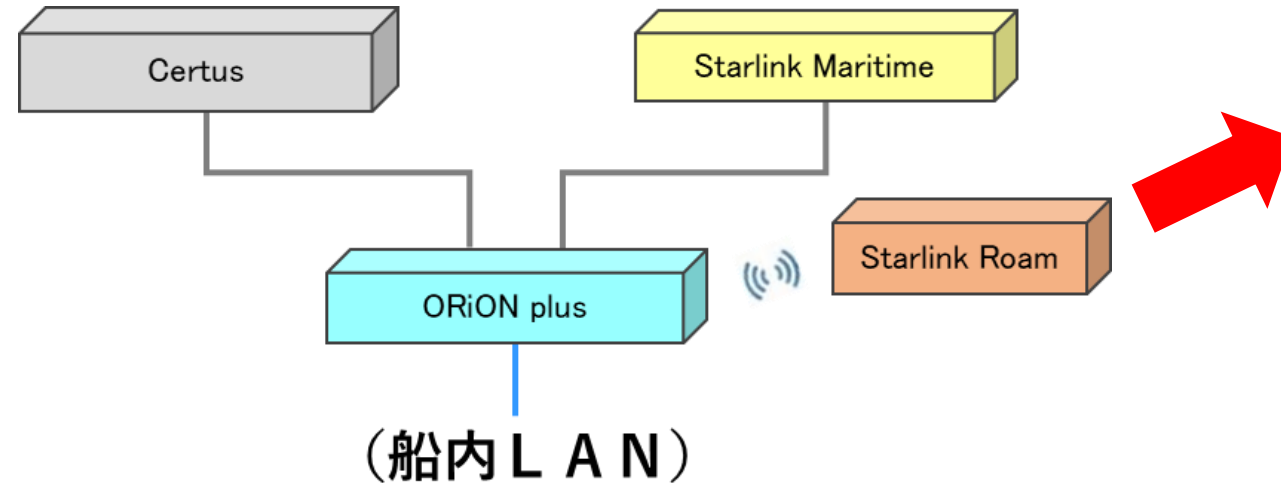
ORCA REPORT
**Recommendation to install
two Starlink units**

1. Operation with two units

Starlink Maritime and Starlink Roam



2. Advantage (1)

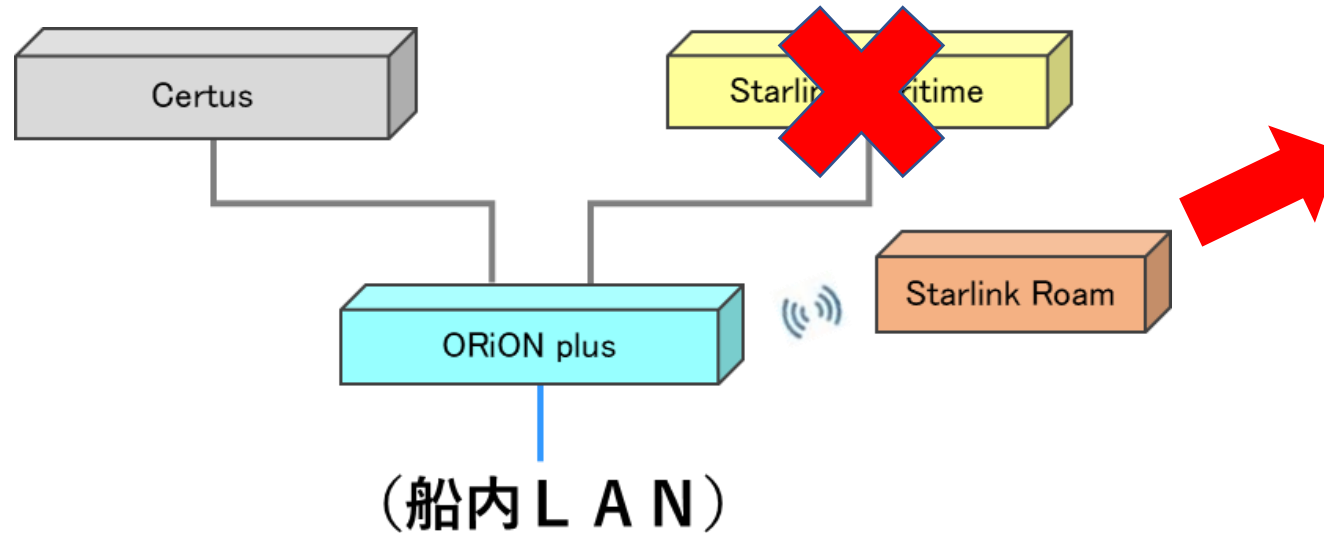


Unlimited capacity available at the time of berth (Starlink Roam)

Although the contract has a speed limit, you can use virtually unlimited communication



3. Advantage (2)



If Starlink Maritime fails:

Opt in of Starlink Roam(Temporary Communications)

→ Available at **sea** for \$2 (1GB)

→ Available as a **temporary communication** until a replacement part of Starlink Maritime arrives



4.Advantage (3)

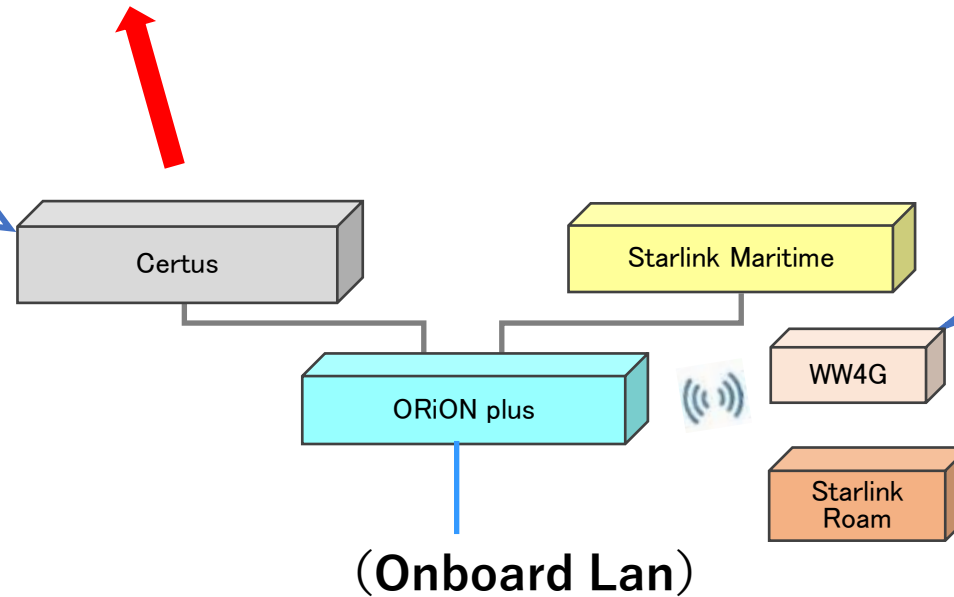
Available at a low price
(initial fee, operation fee)

	初期費用	運用費用
Starlink Maritime (50GB)	\$2,500	\$250/Month
Starlink Roam (Mobile Global)	\$500	\$200/Month
Total price	\$3,000	\$450/Month



5. Attention (1)

In order to respond to the failure of the entire Starlink system, Iridium Certus is used as a backup line.



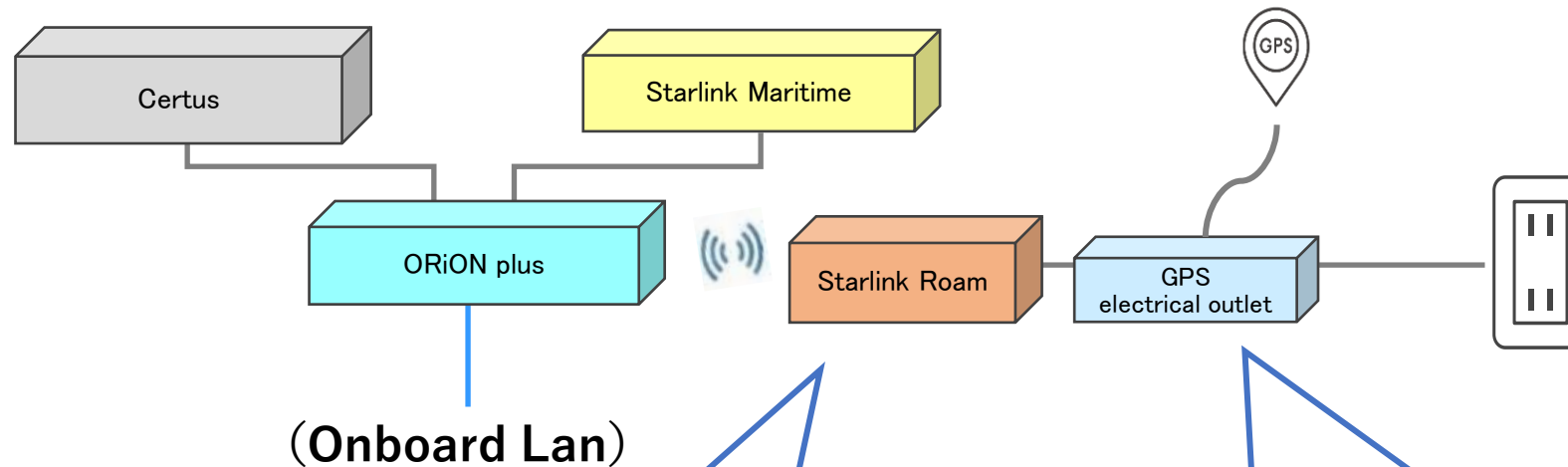
WW4G is used in countries where Starlink is not available. (e.g., China)

ORiON Plus enables this operation:

Since it accommodates all communication infrastructure, please use ORiON Plus for line control



6. Attention (2)



Contract of Starlink Roam:

- Not available while moving
- It is necessary to turn off the power supply while sailing

Our GPS outlets:

- Automatically turn off Starlink Roam when the vessel is moving.
- The power turns on automatically when the vessel is berthed.
- Less time for crews

