

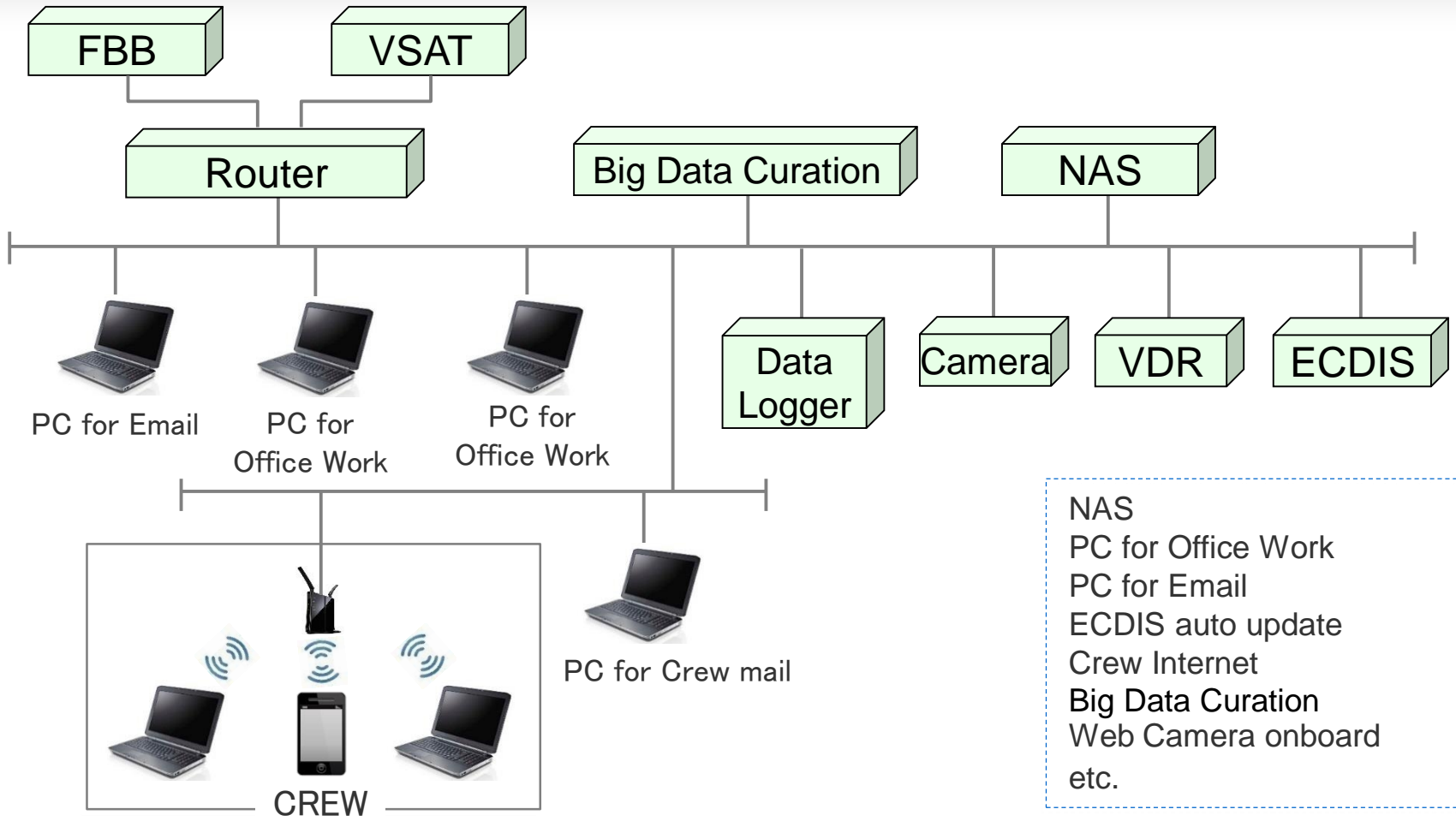


IT Network environment onboard with “ORION-L2”

ORCA CO., LTD 2016



Current figure of IT Network environment onboard

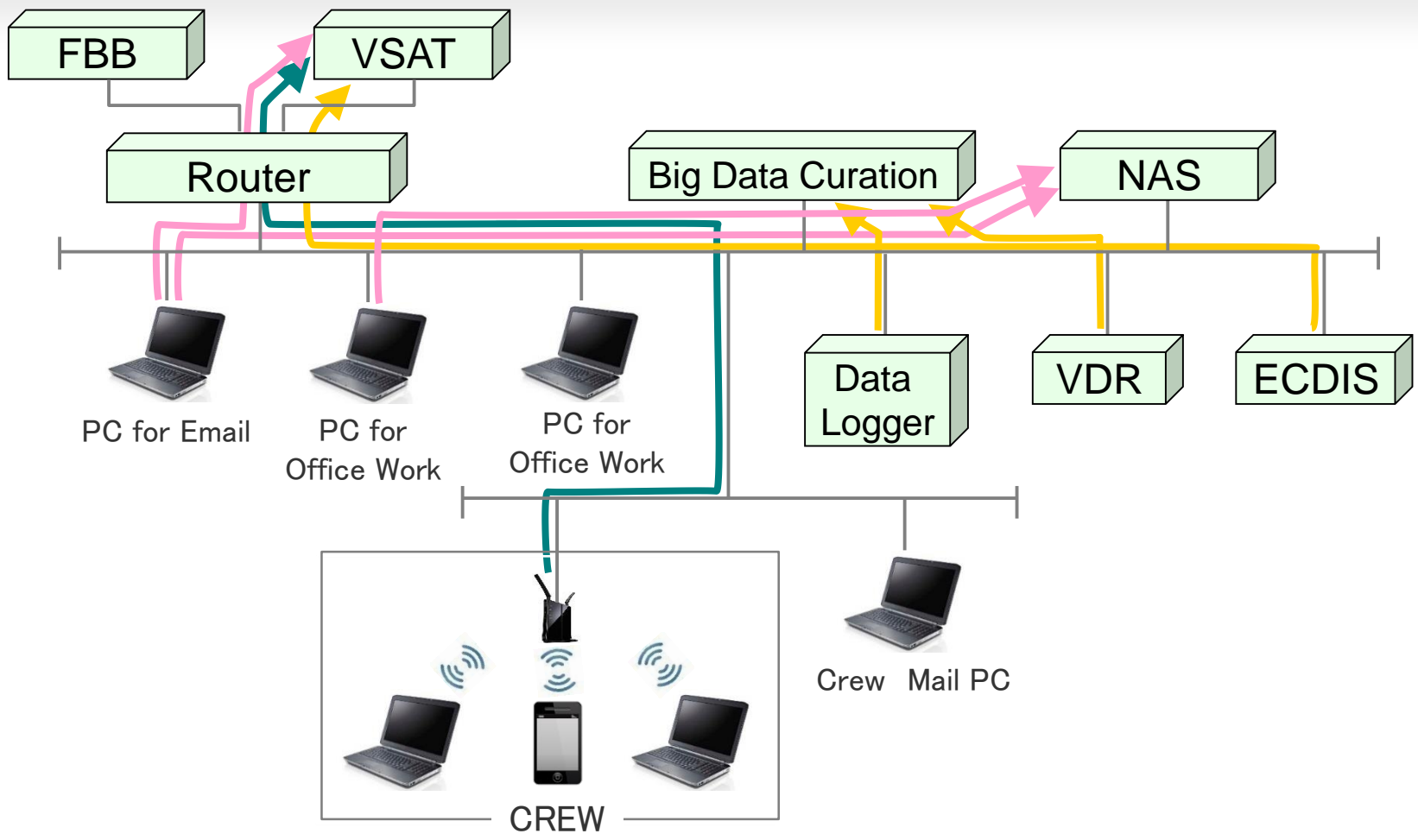


- NAS
- PC for Office Work
- PC for Email
- ECDIS auto update
- Crew Internet
- Big Data Curation
- Web Camera onboard
- etc.



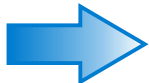
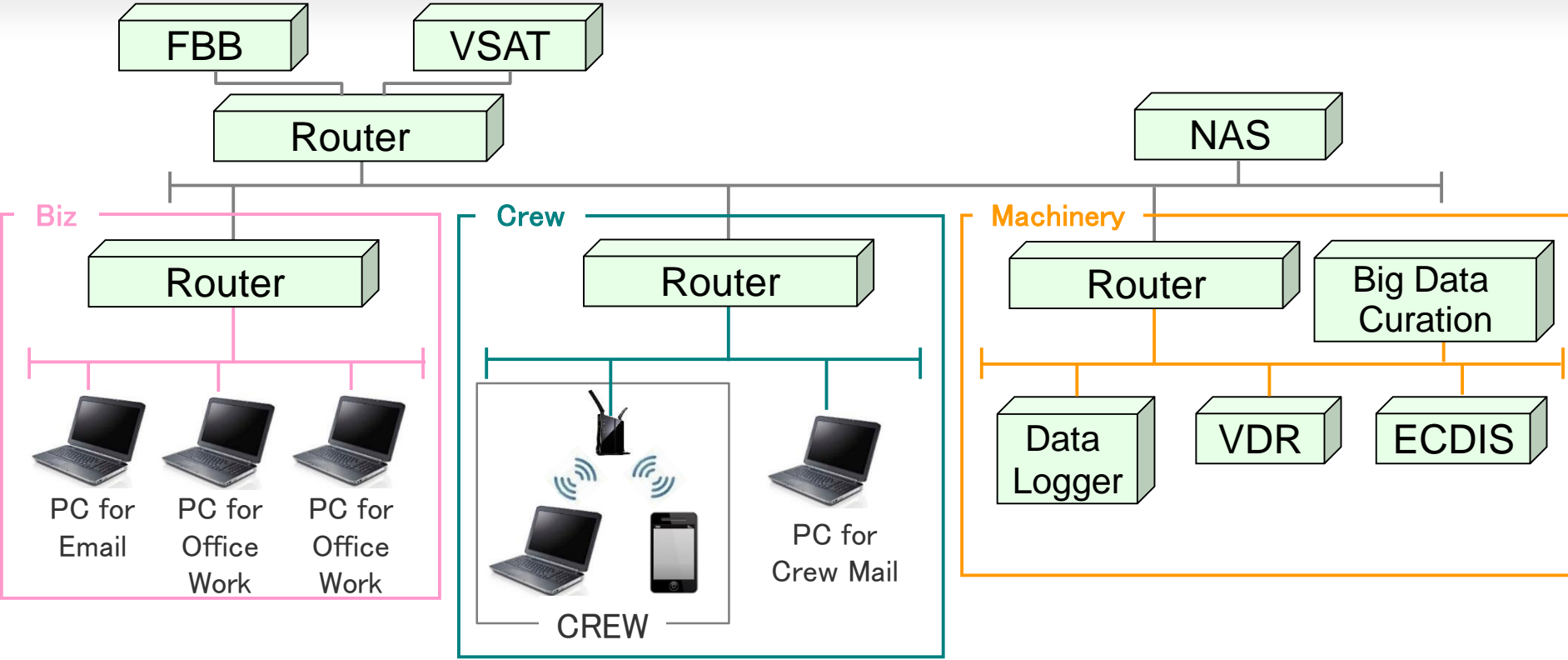


IT Network Congestion issues caused by many system component





Most ideal figure of IT Network

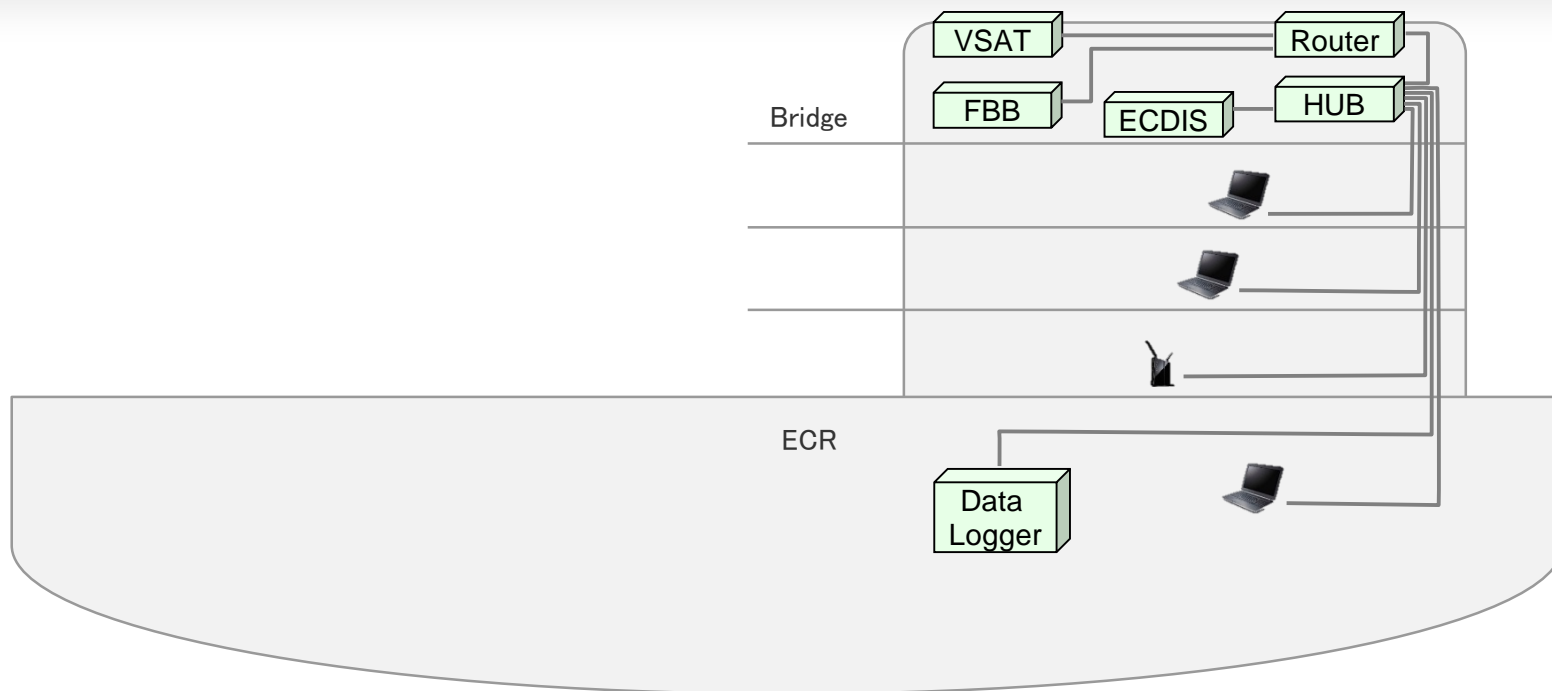


Recommended to control each components under different LAN infrastructure





Real Situation

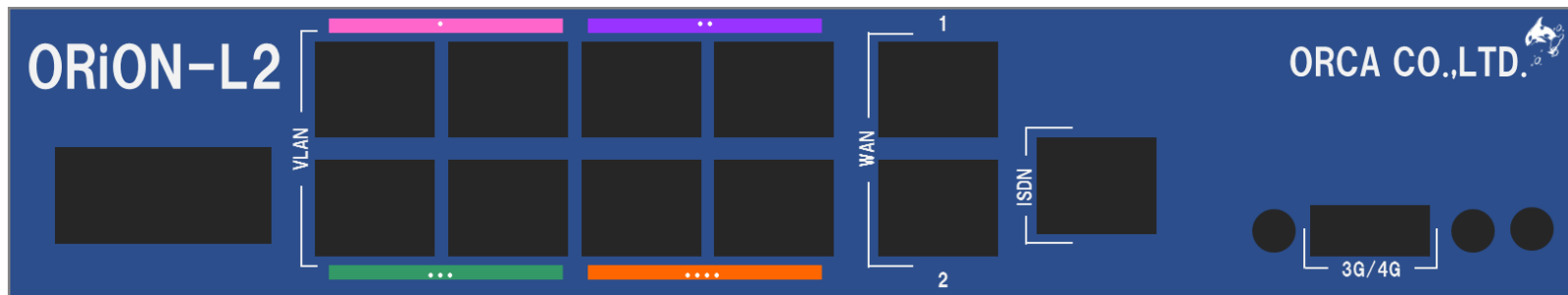


- ➔ In most cases, existing vessels have only one LAN infrastructure
- ➔ Not easy even for new vessels to be built optimal LAN SYSTEM with an eye toward a future.





About ORiON-L2

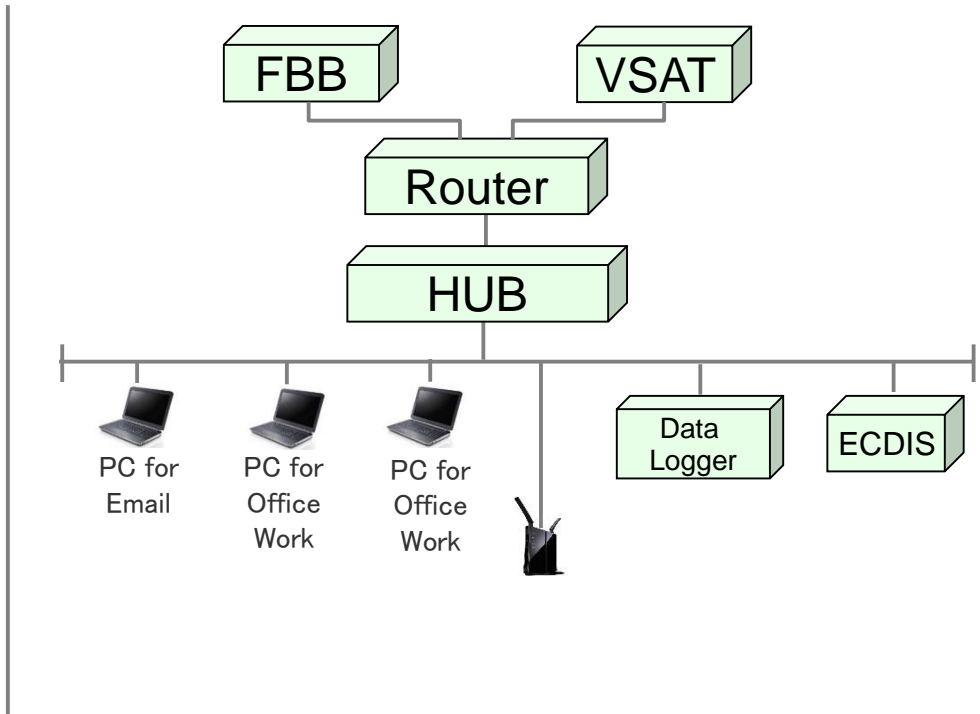
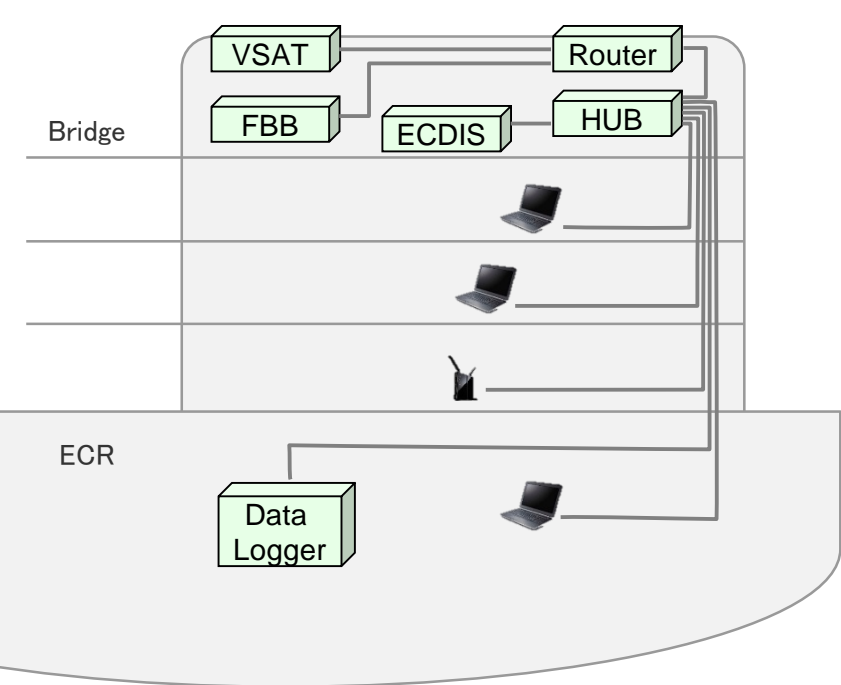


ORiON-L2 is an extended unit which has L2 Switch function; the network device controlling LAN SYSTEM onboard mounted on ORiON PLUS.



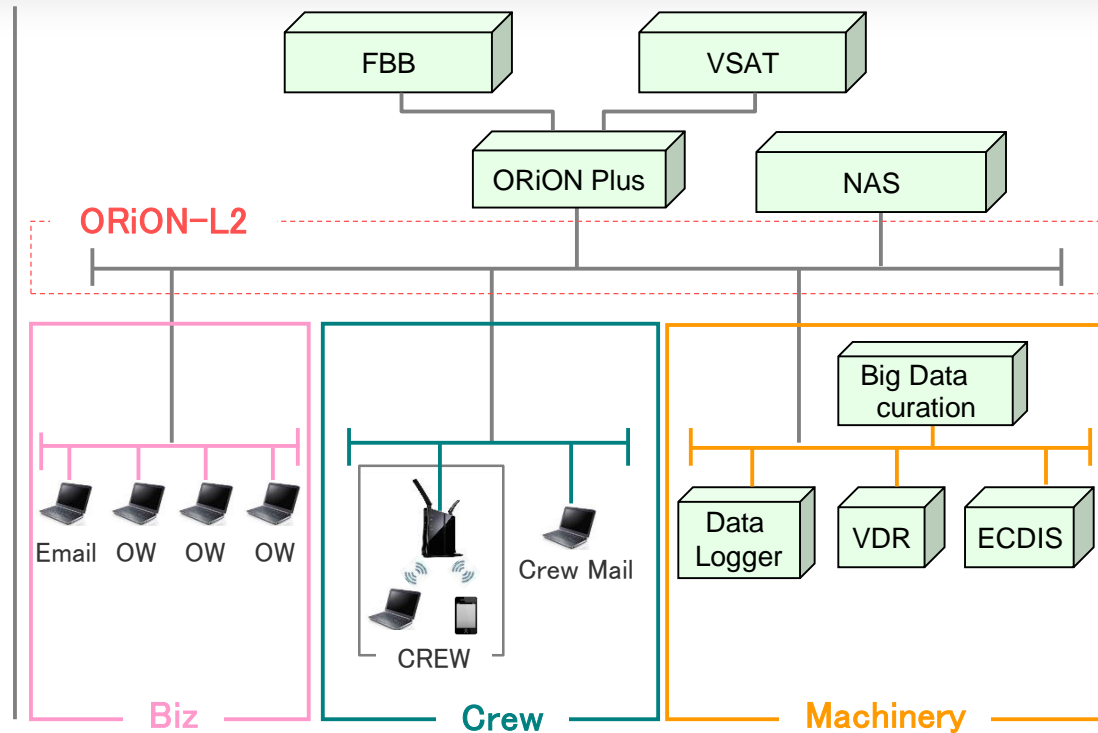
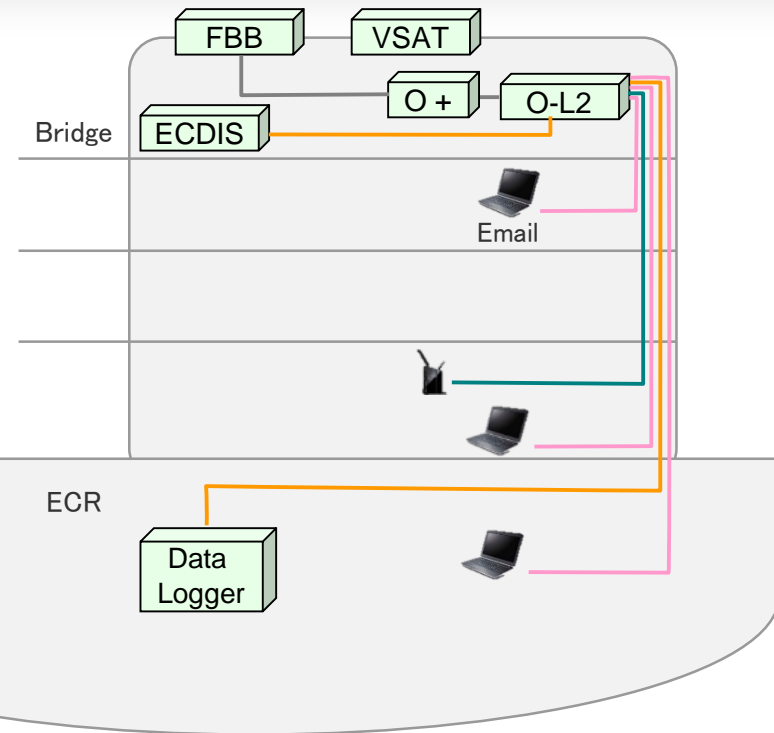


Standard case of network system; only one LAN infrastructure





Example #1 on utilizing ORiON-L2

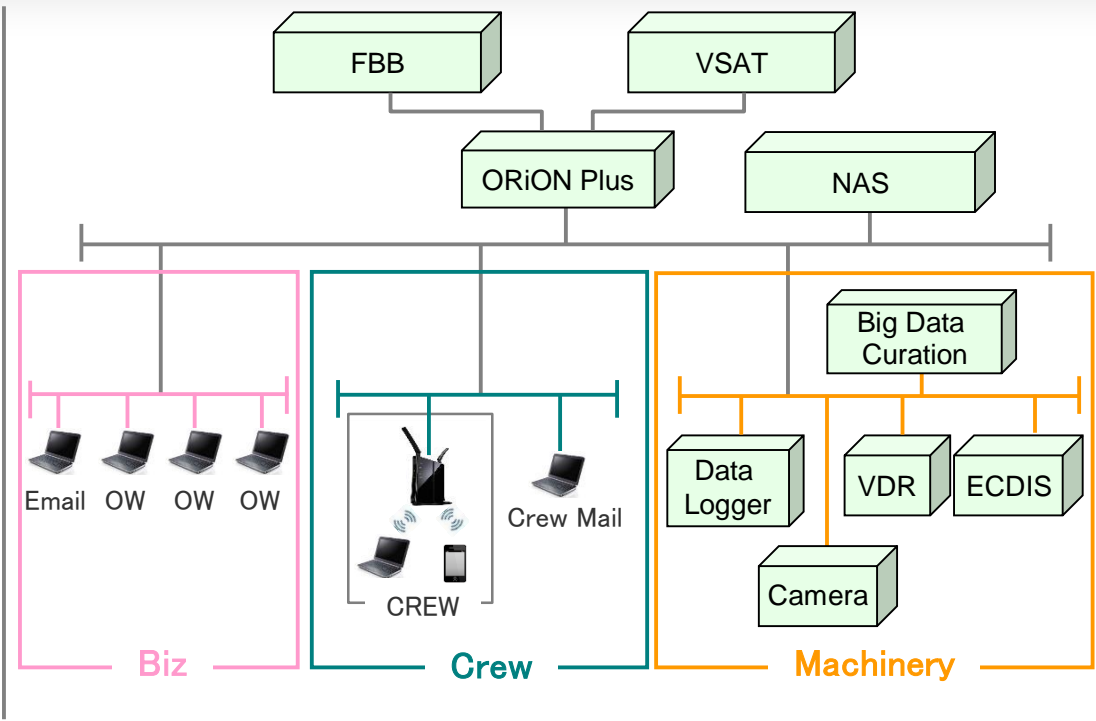
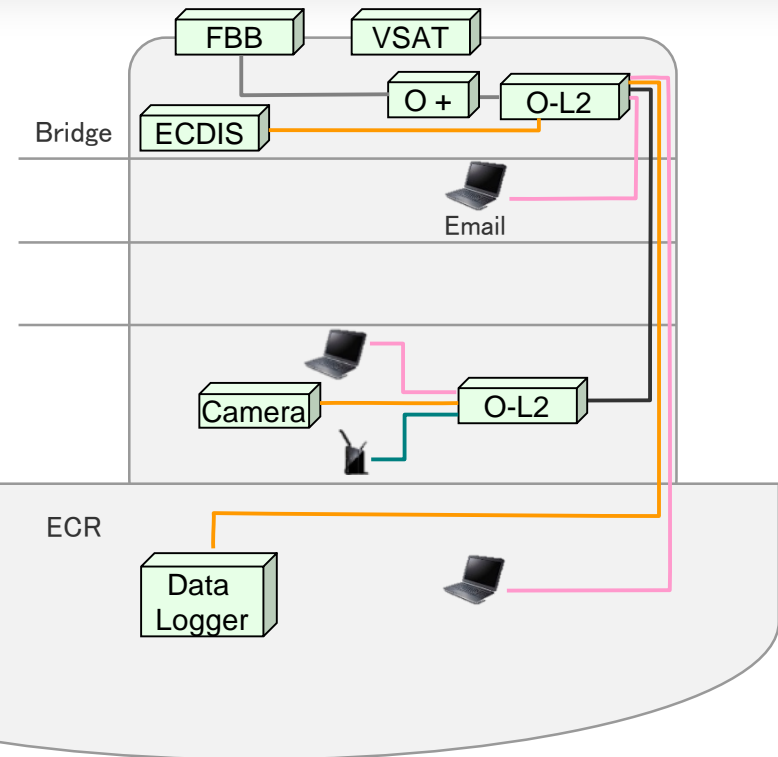


➔ Utilizing VLAN(virtual LAN), you can break LAN Network onboard into several ways.





Example #2 on utilizing ORiON-L2

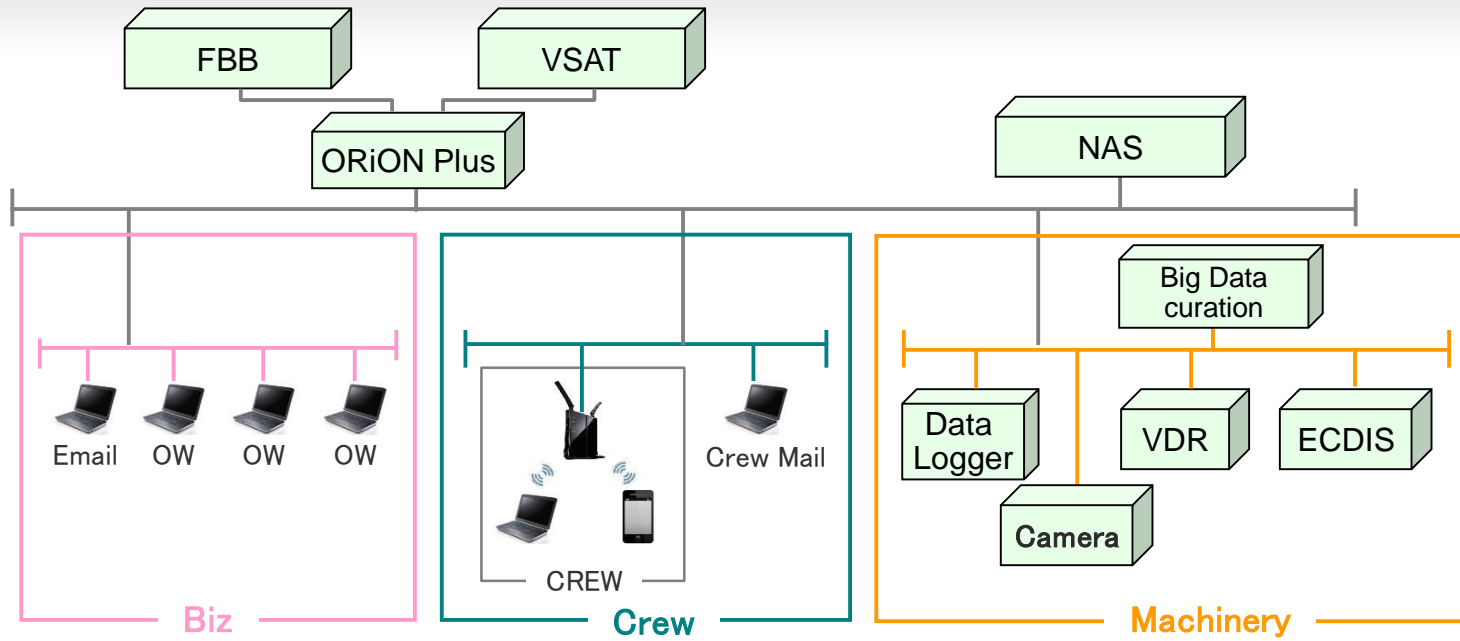


➔ After installing an additional ORiON-L2 at the end of LAN SYSTEM, you can switch to another LAN system in the same room.





Main function of network control

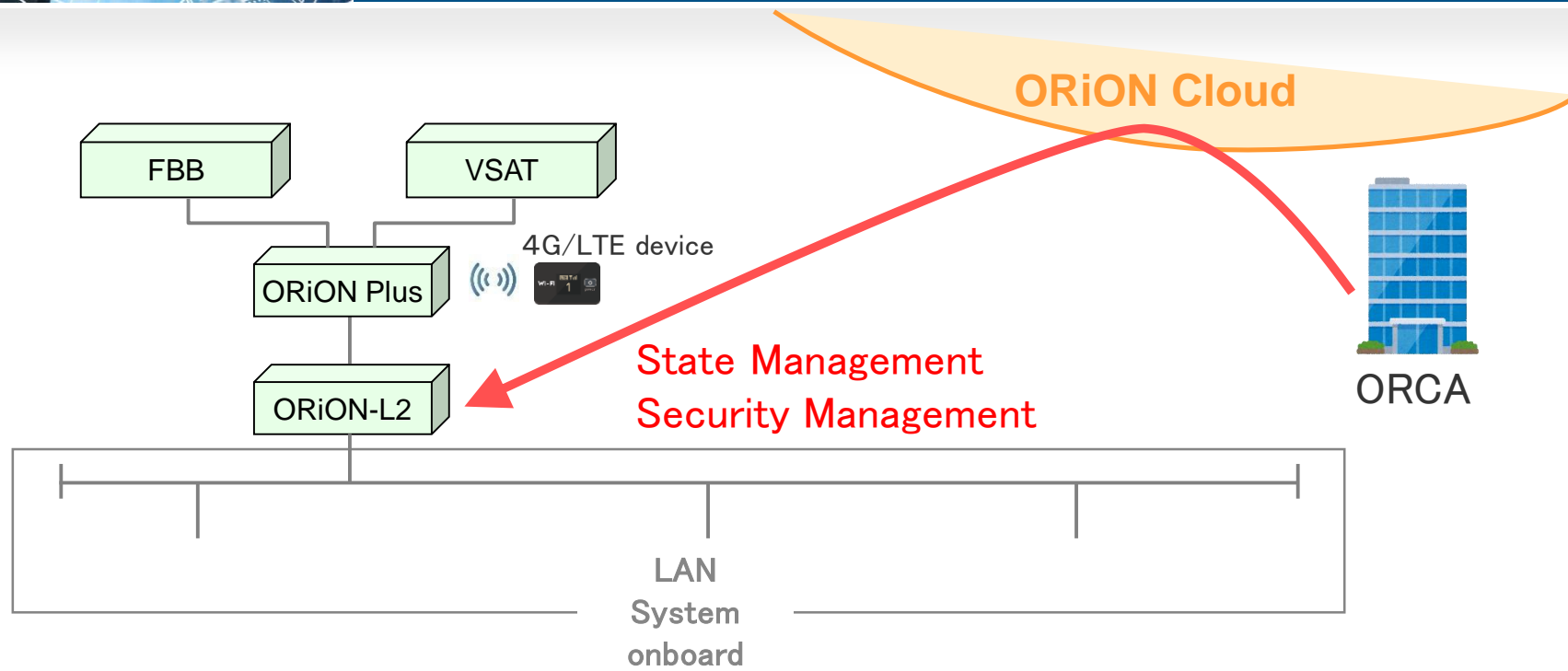


- ➔ On the fly control of communication speed and order of priority of each LAN
- ➔ Providing Optimum communication system to each network
- ➔ Flexible communication control among sub network





Interfacing with a ORiON Plus



➡ ORiON-L2 is interfacing with a ORiON PLUS

➡ Connecting with ORiON cloud, controlling LAN system onboard remotely





In installing ORiON-L2

ORiON-L2 is an high-tech device.
It is customizable according to each vessels need's.
Please feel free to contact us.



We look forward to hearing from you soon



ORCA CO., LTD.
Simple & Effective