

? Why network segmentation is necessary

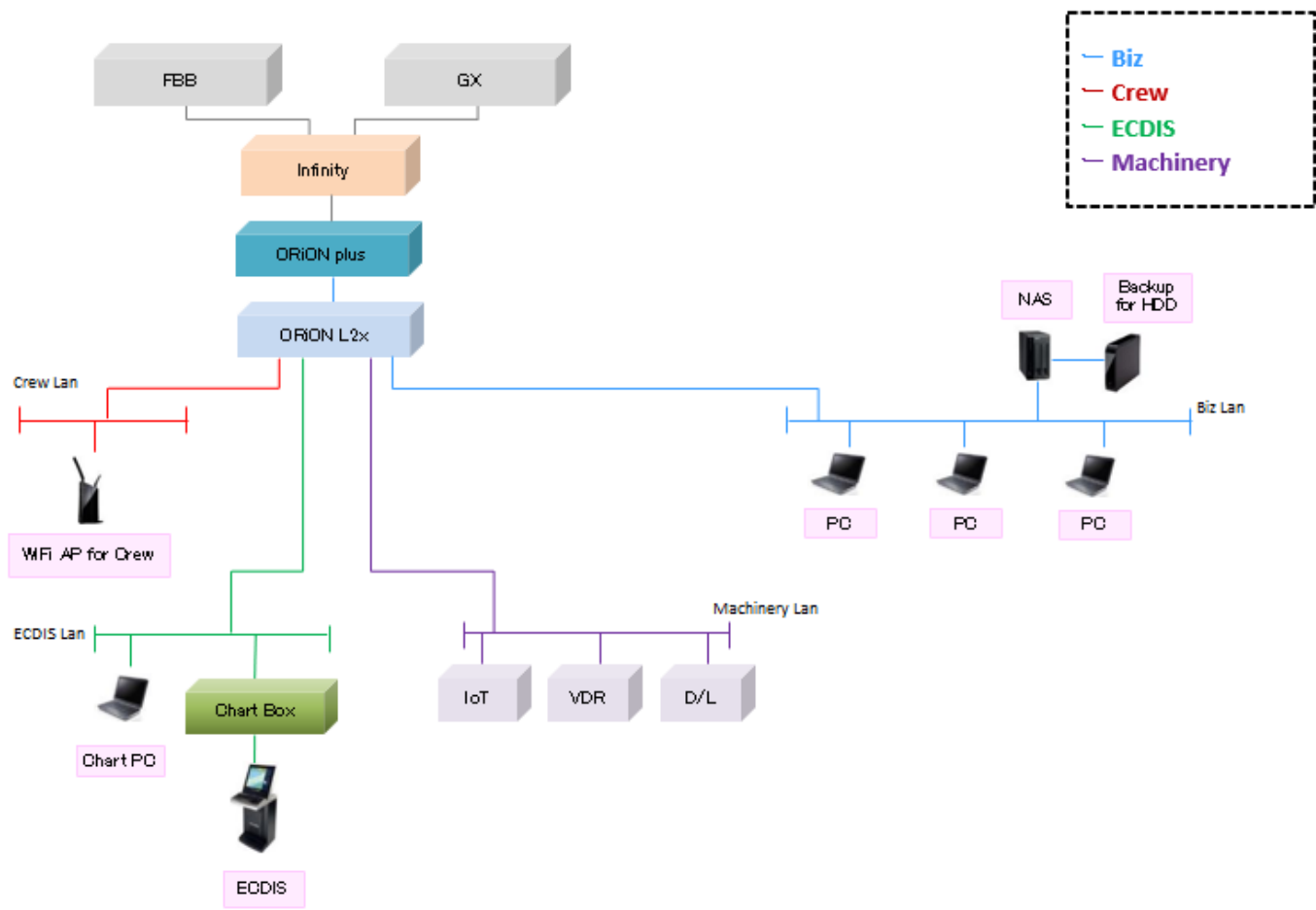


Recent cyber security requirements



It is recommended that the network on a vessel should be separated depending on its functions

In order to avoid negative influences from other networks on important equipment and systems

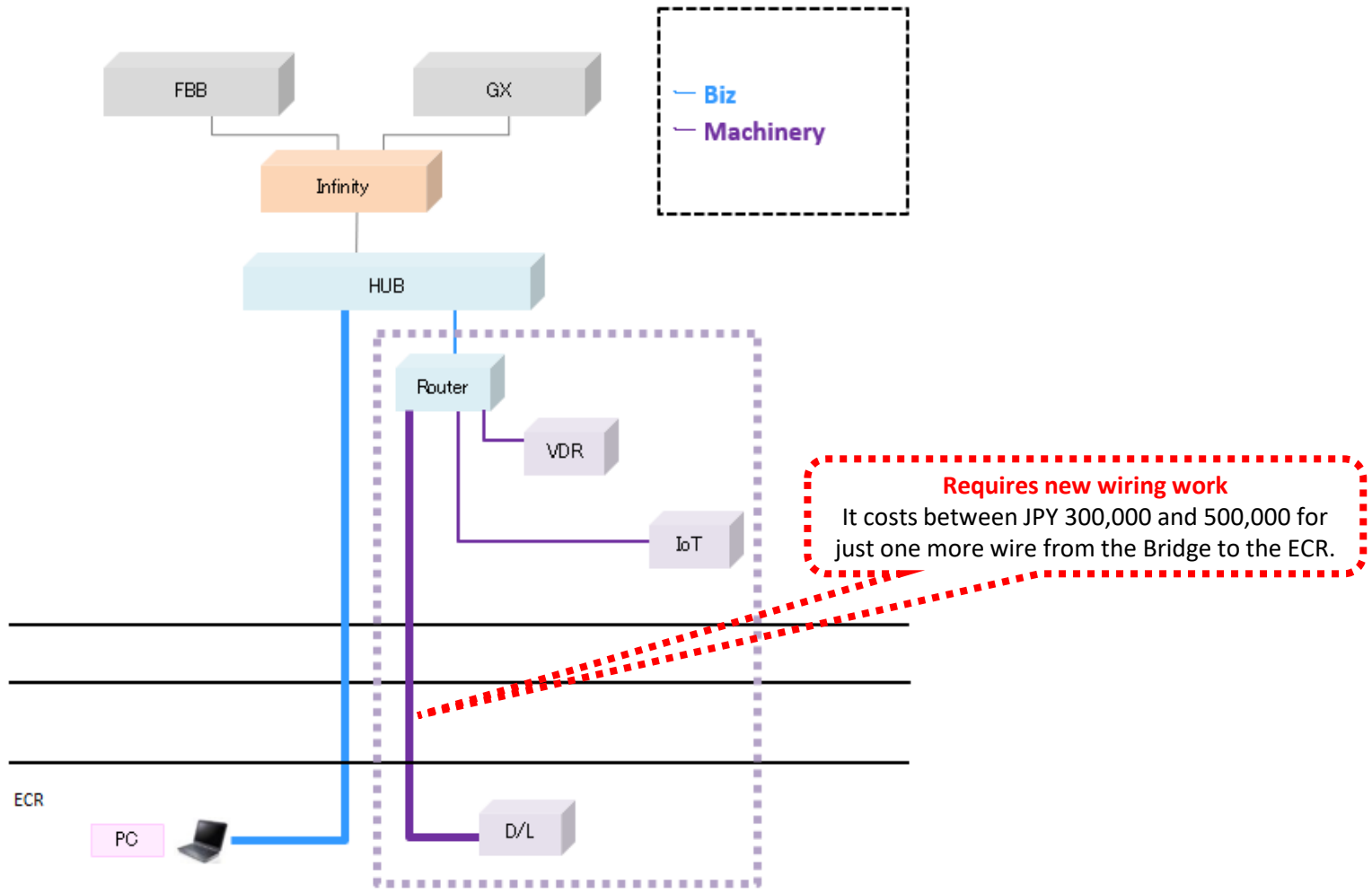


\$ Additional wiring, however, costs a lot of money

Network segmentation requires additional wiring practically

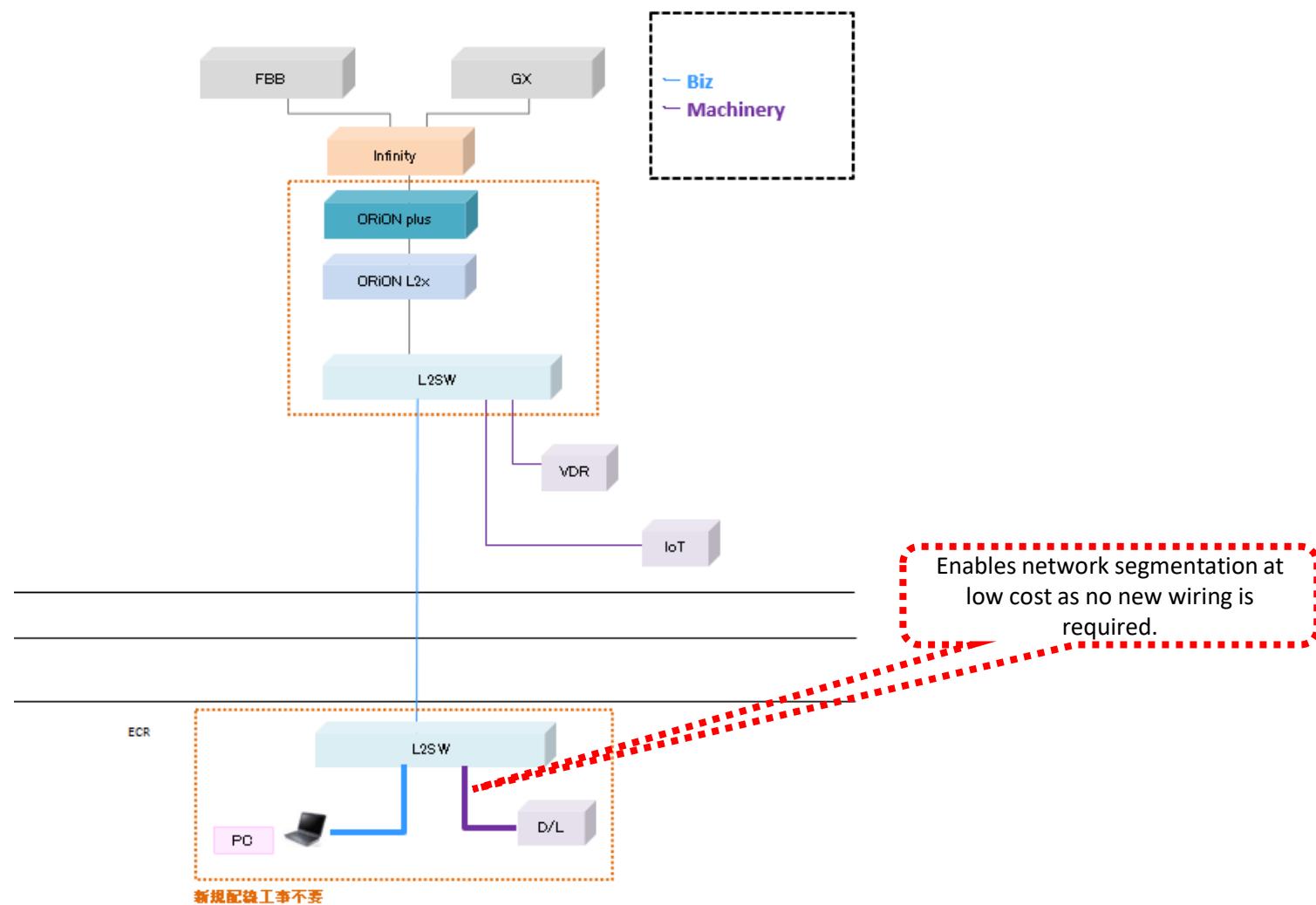
BUT
▶▶▶

Newly constructed vessels, but on existing vessels that are already wired for networking, it is very costly to do additional new wiring work.



This is why we recommend configuring VLAN with OL2x

If OL2x is installed, it is possible to configure VLAN (virtual LAN) and segregate networks without any change to the existing wiring.



Furthermore, it is expandable.

If you adopt the control of VLAN through OL2x deployment,



When various devices and systems are added in the future, VLAN can be constructed at will.

